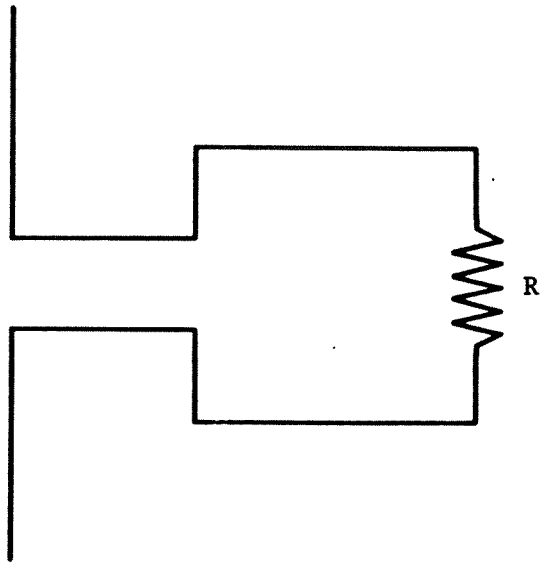
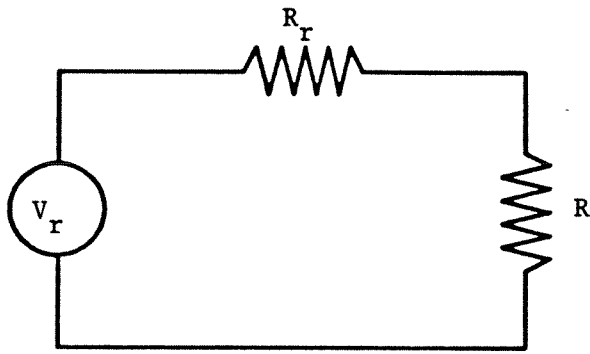


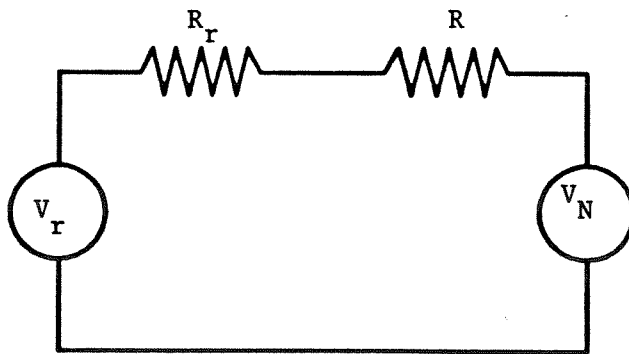
Fig (22.1)



(a)



(b)



(c)

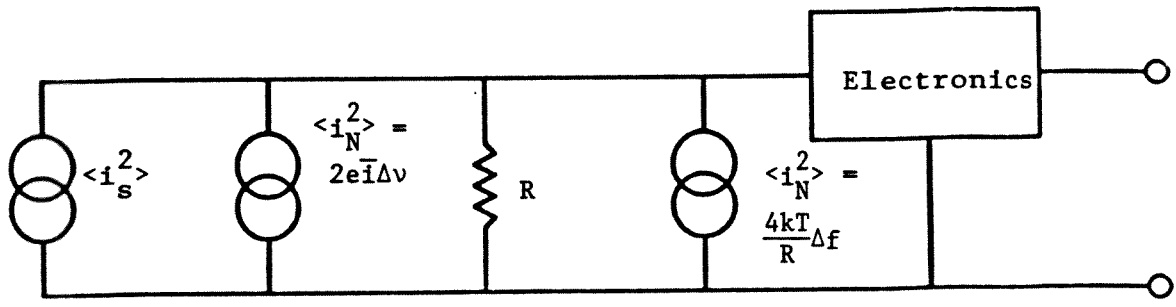


Fig. (22.3)

master copy
to be supplied
later

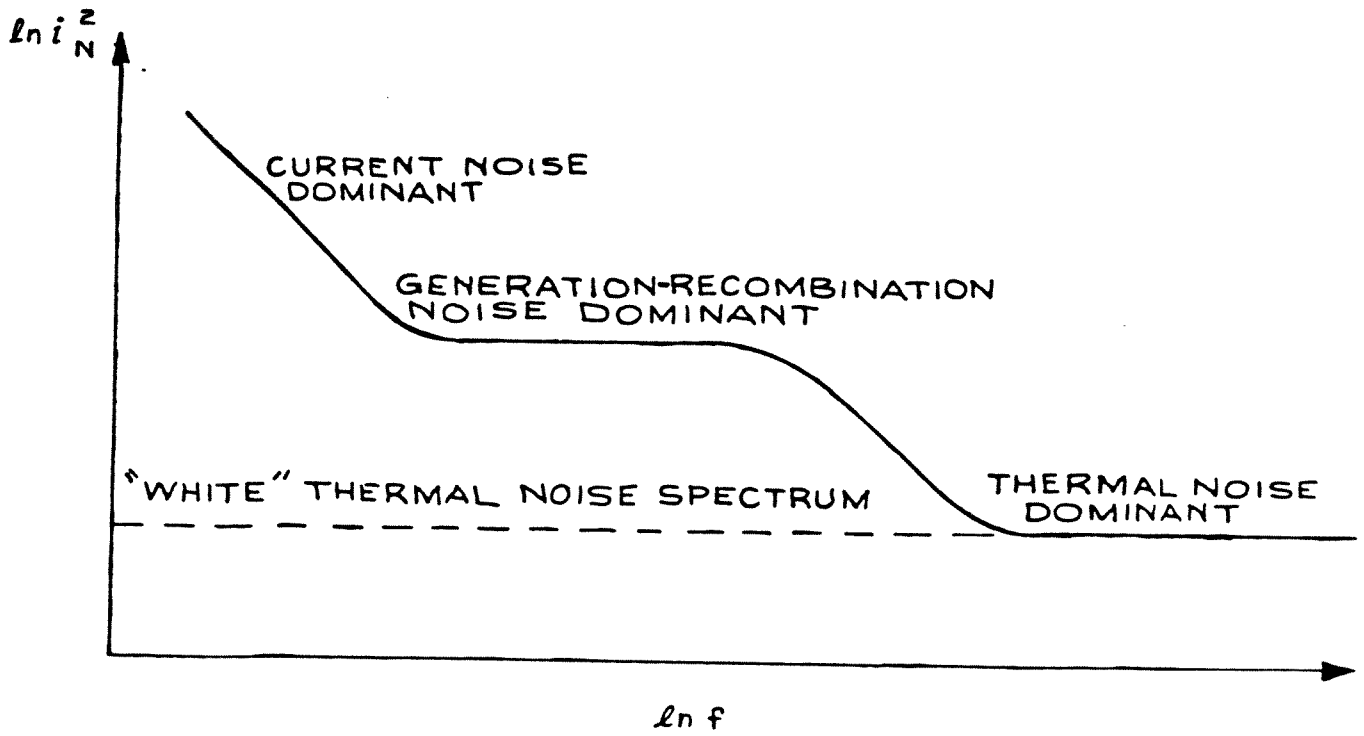


Fig (22.4)

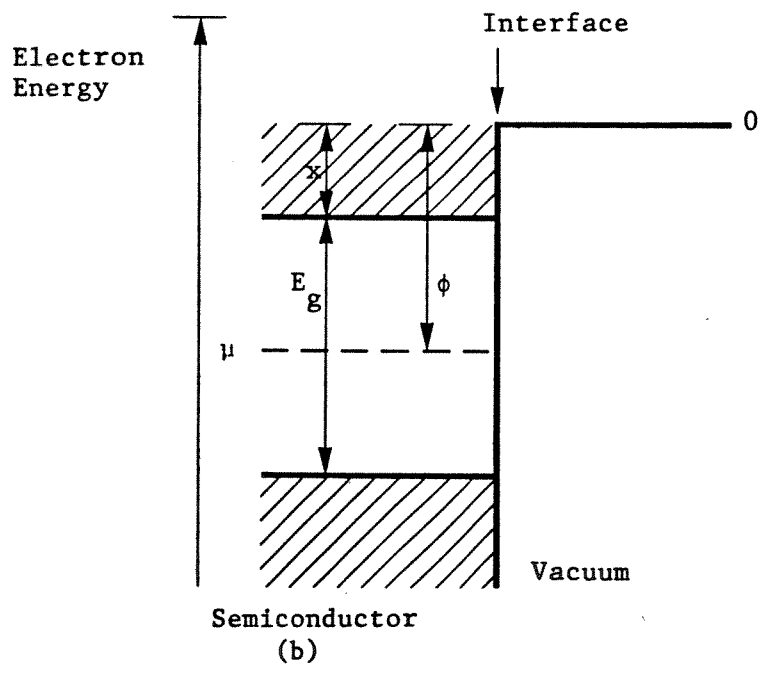
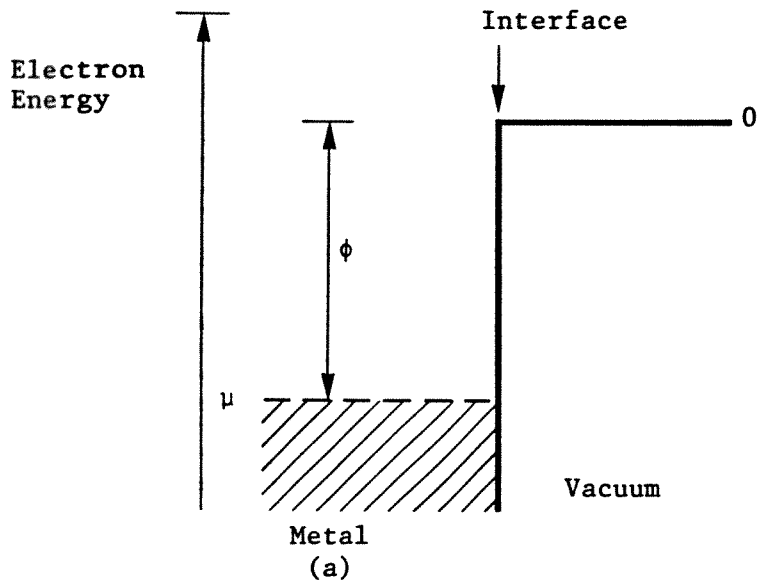


Fig (22.5)

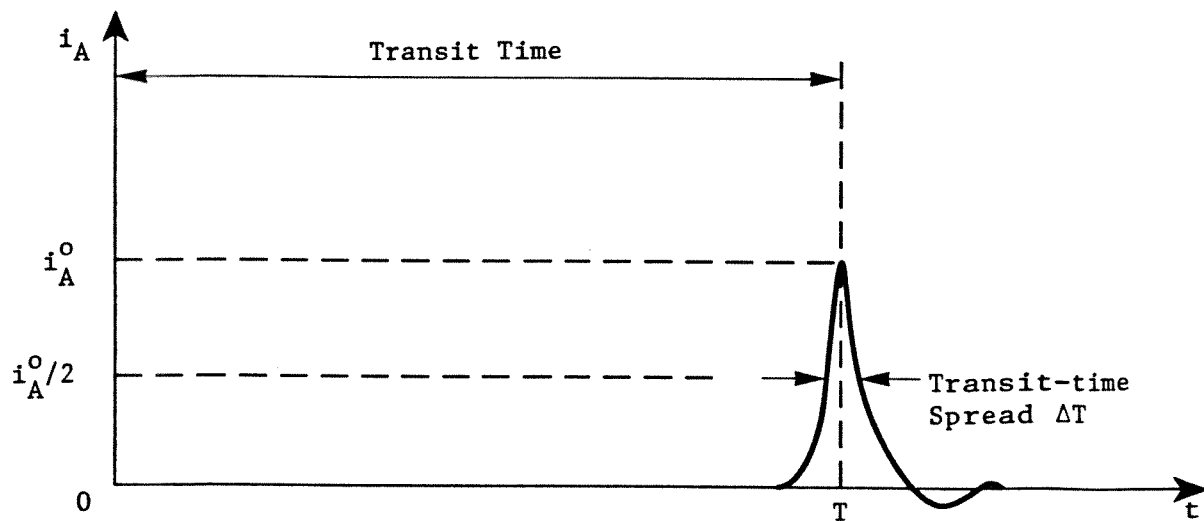
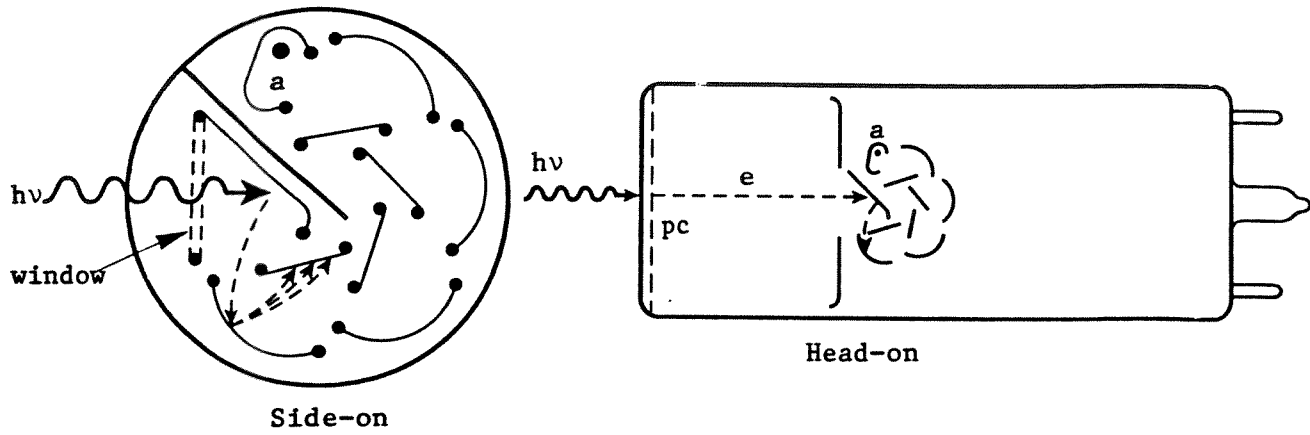
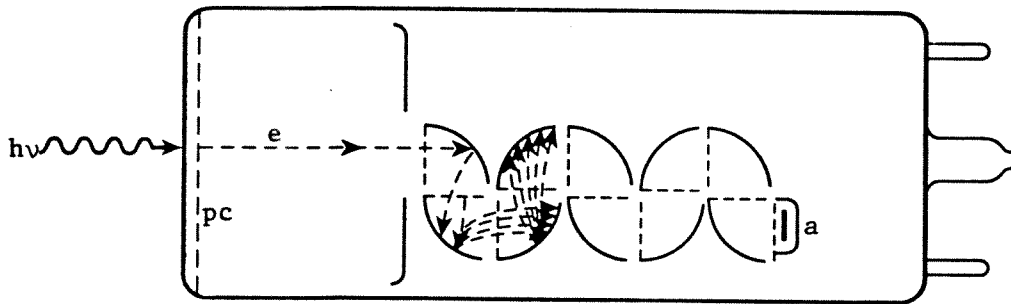


Fig. (22.6)

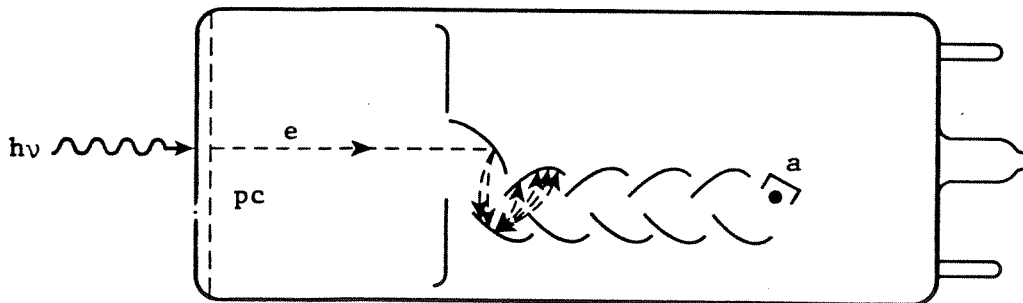
(a) Circular-cage type



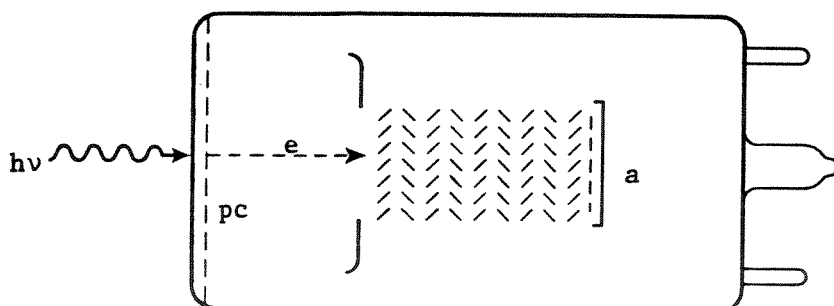
(b) Box and grid type

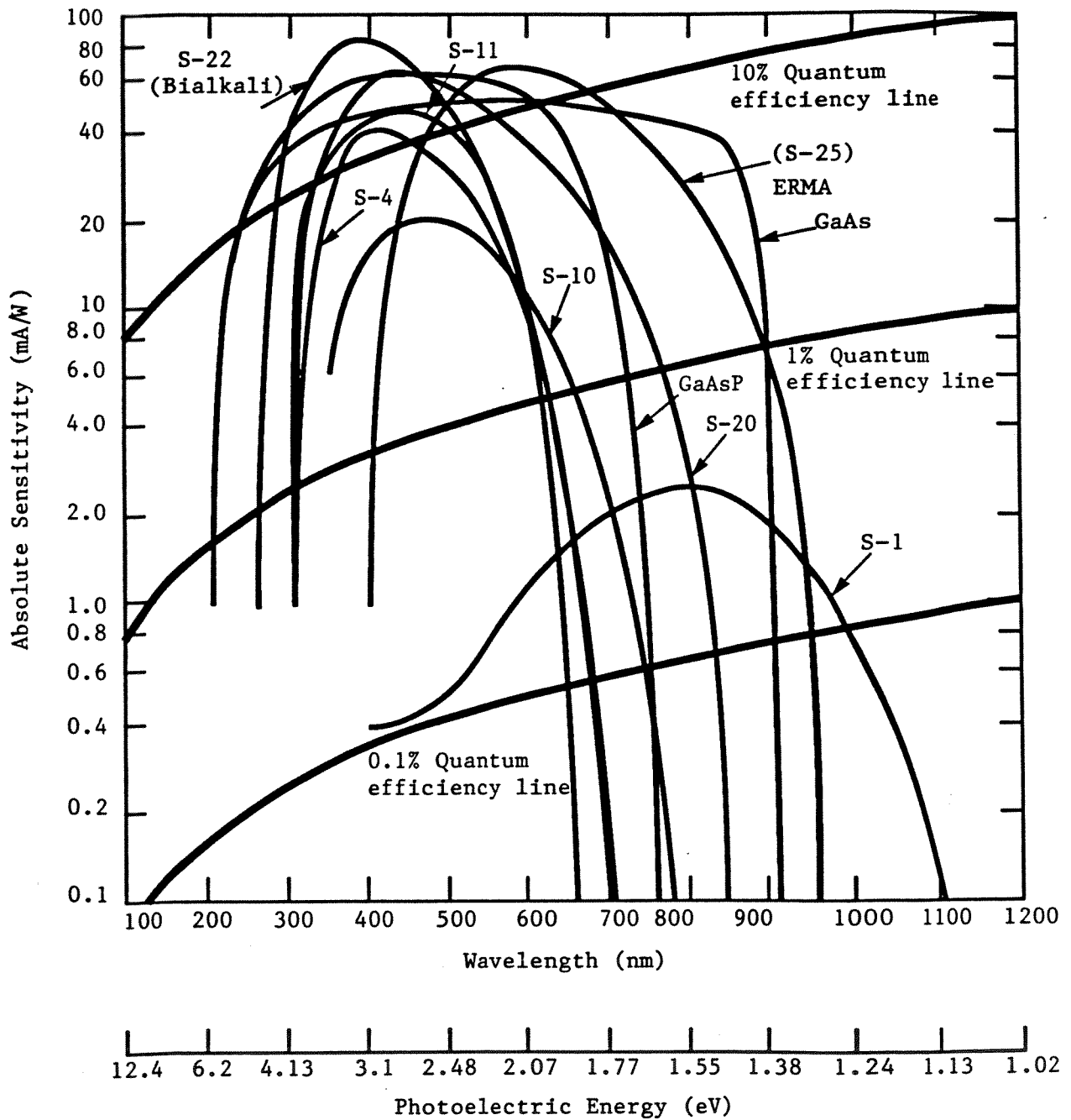


(c) Linear focused type



(d) Venetian blind type





Fig(22.8)

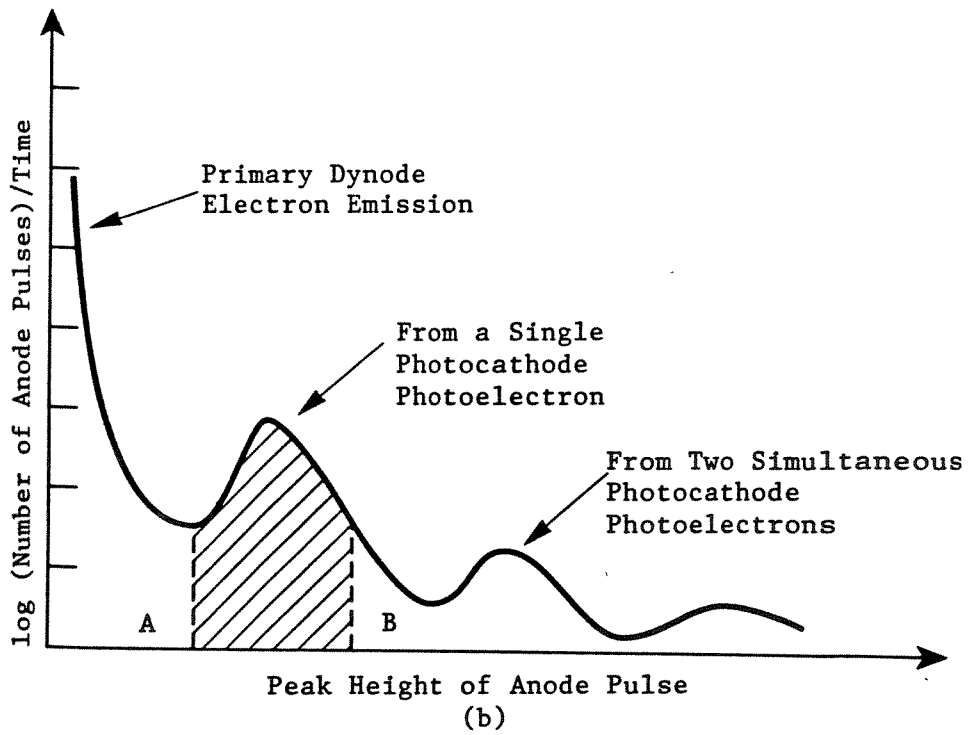
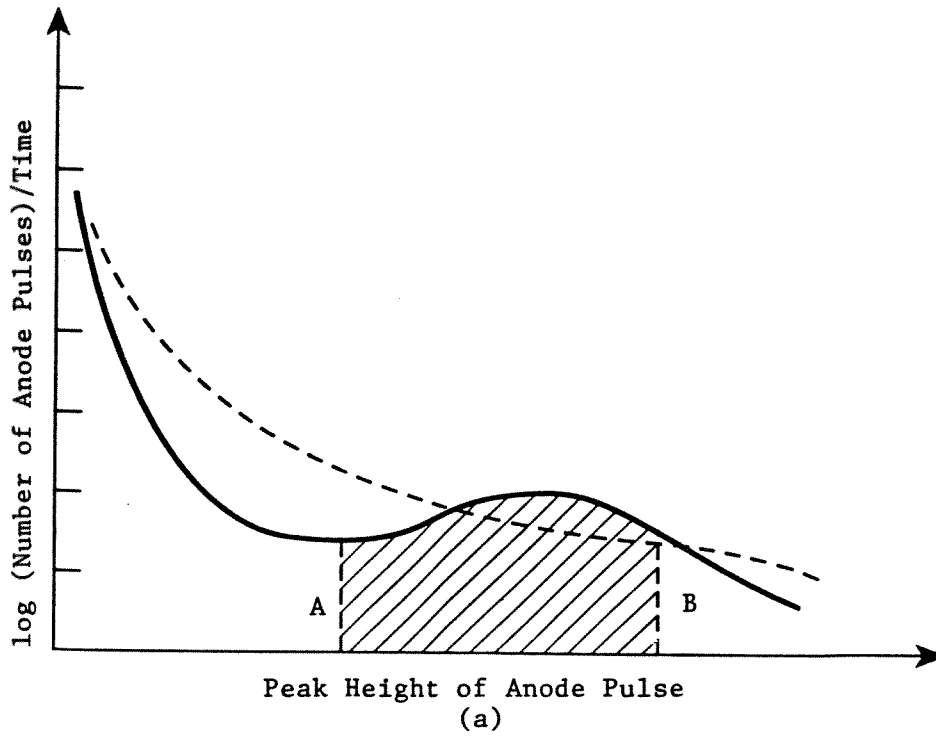
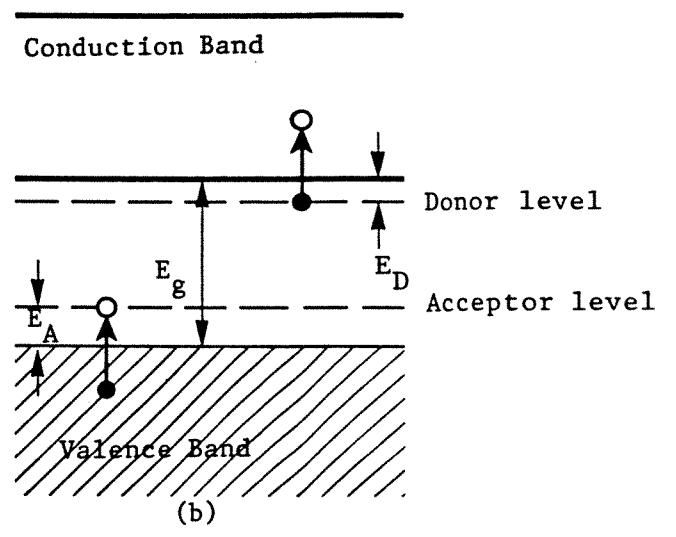
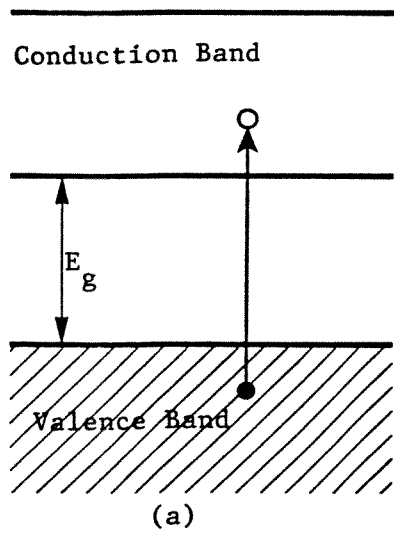
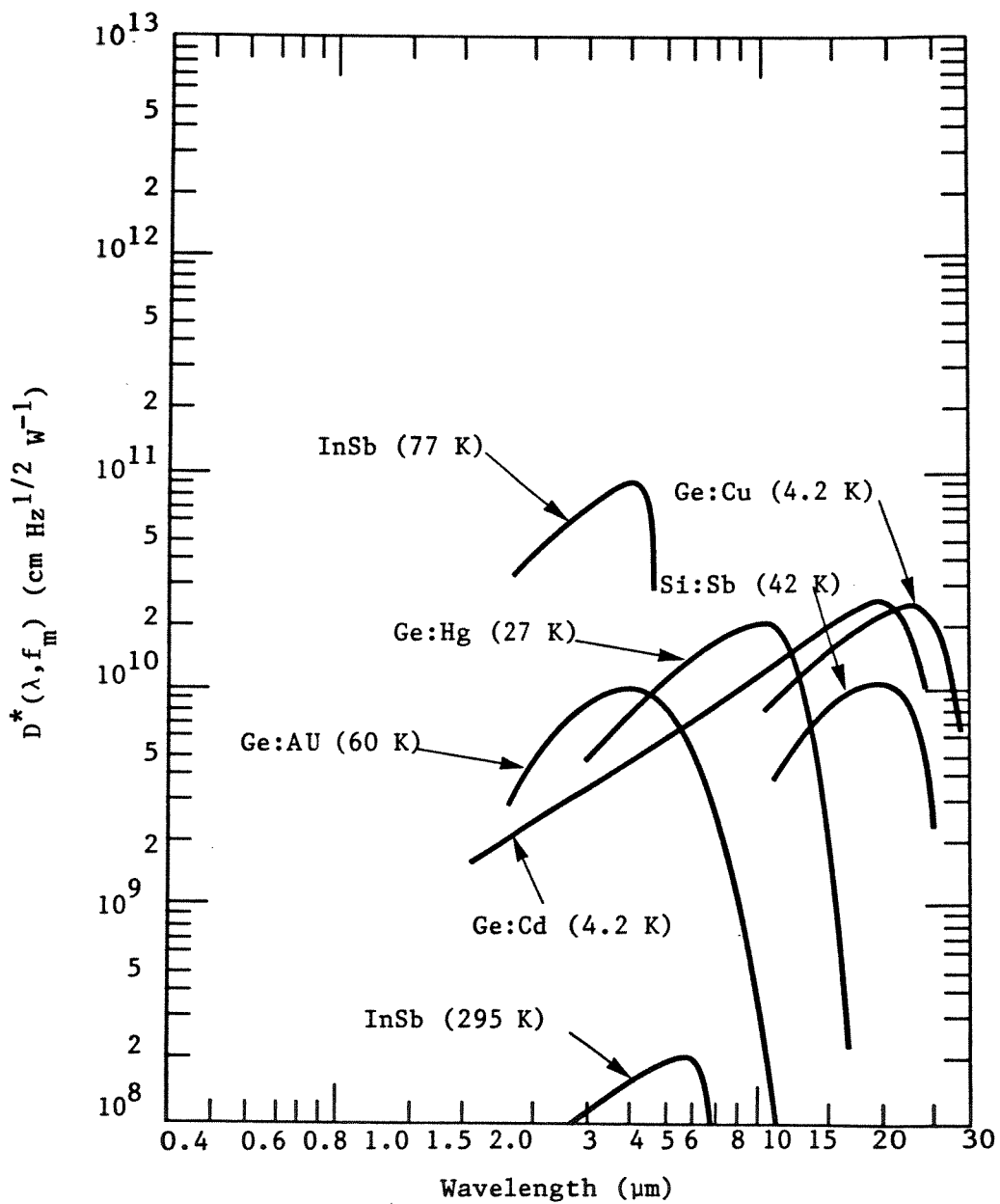


Fig. (22.9)





Fig(22.11)

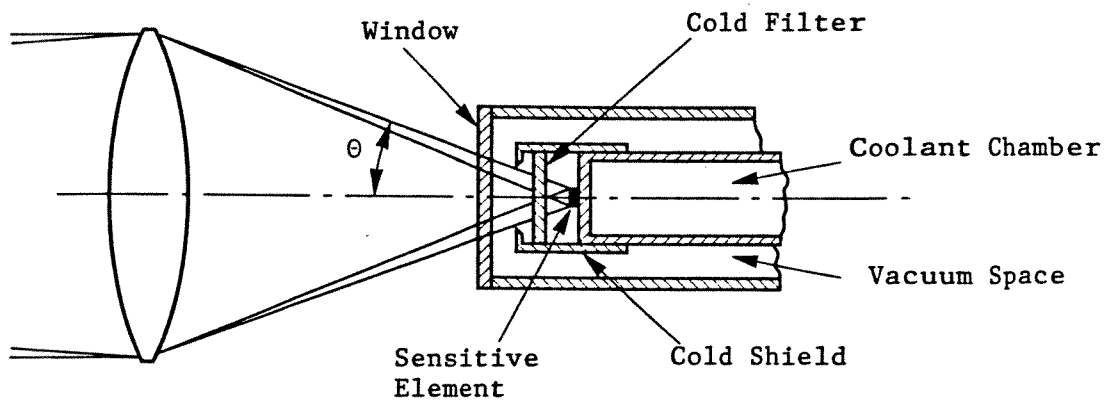


Fig. (22.12)

master copy
to be submitted
later.

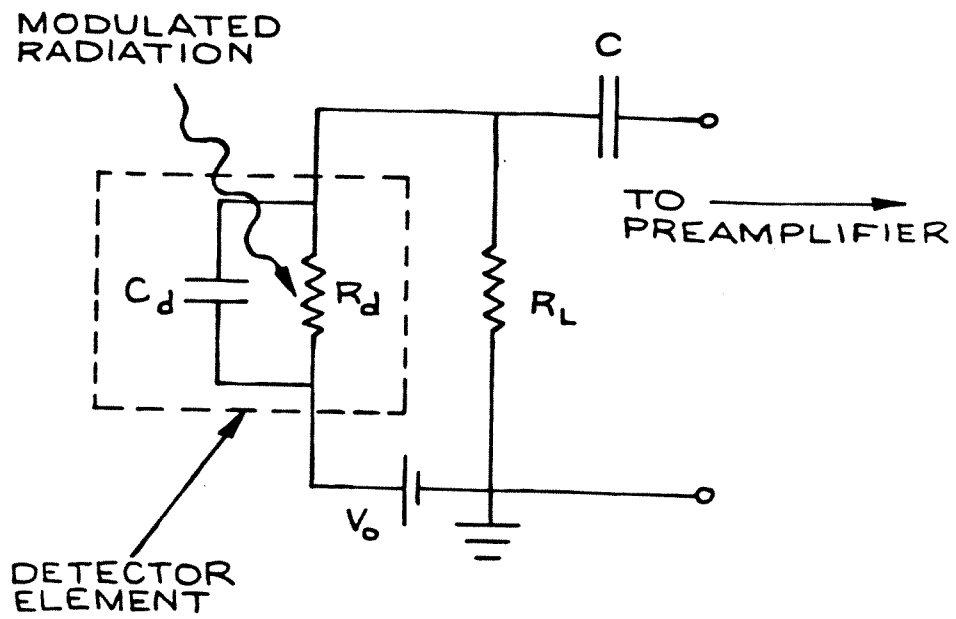


Fig (22.13)

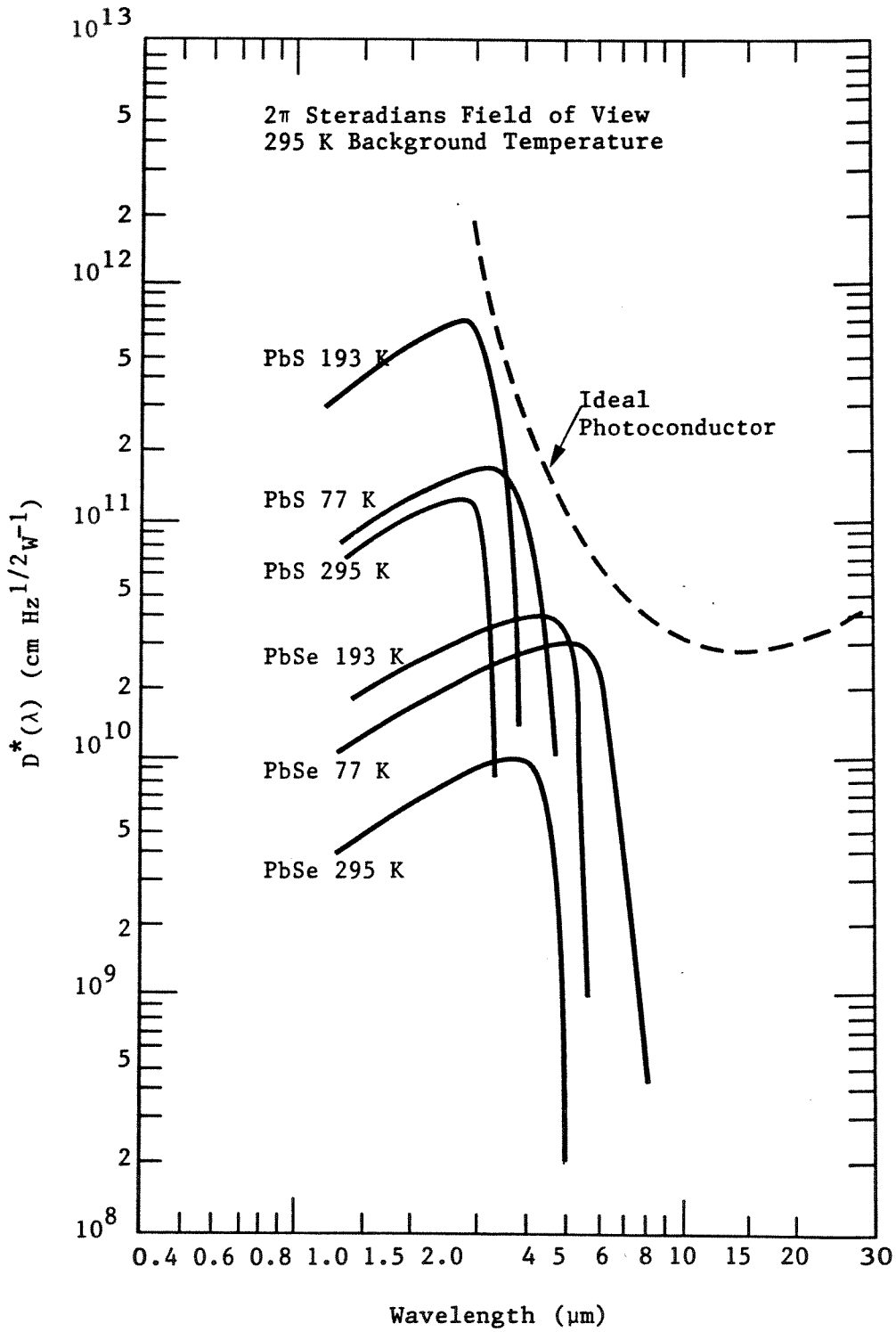


Fig (22.14)

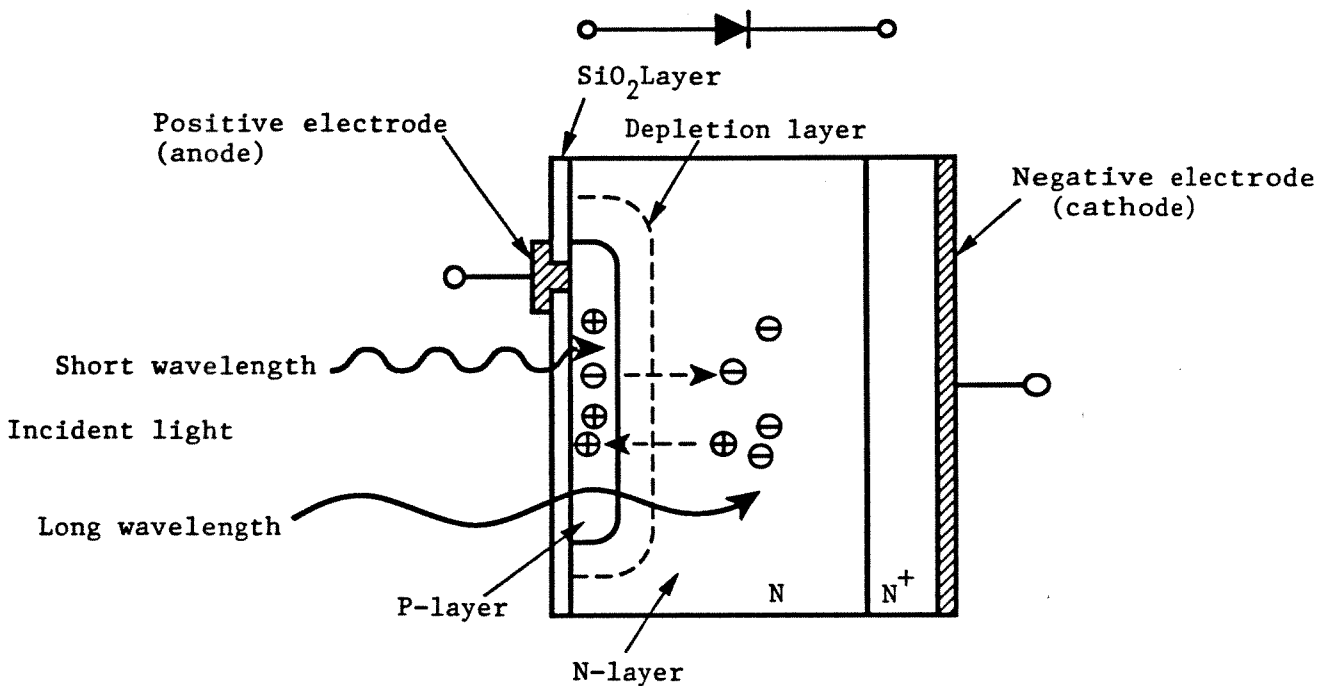


Fig. (22.15)

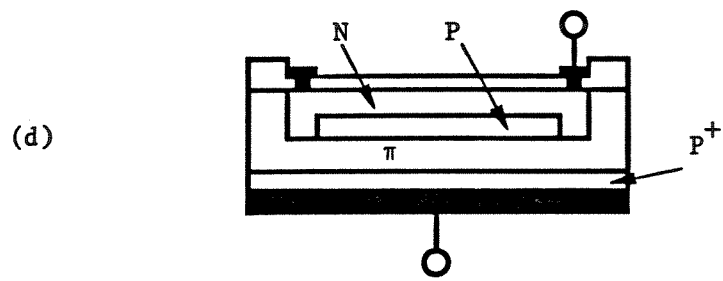
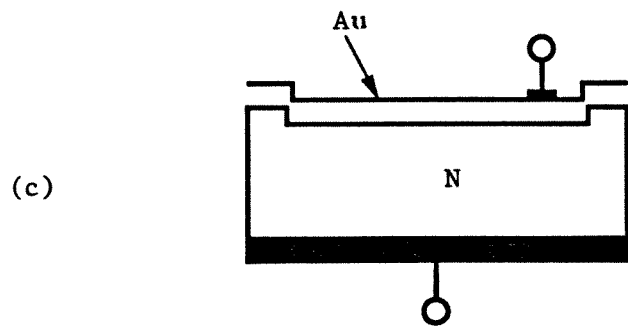
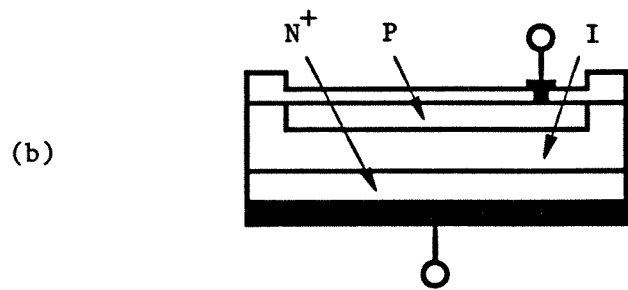
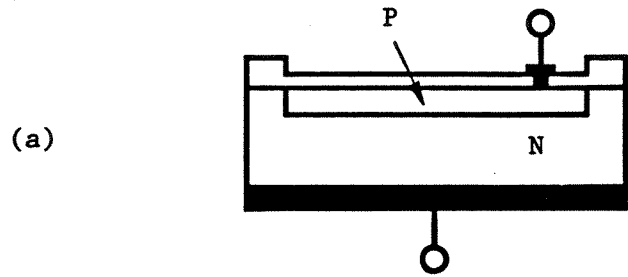


Fig. (22.16)

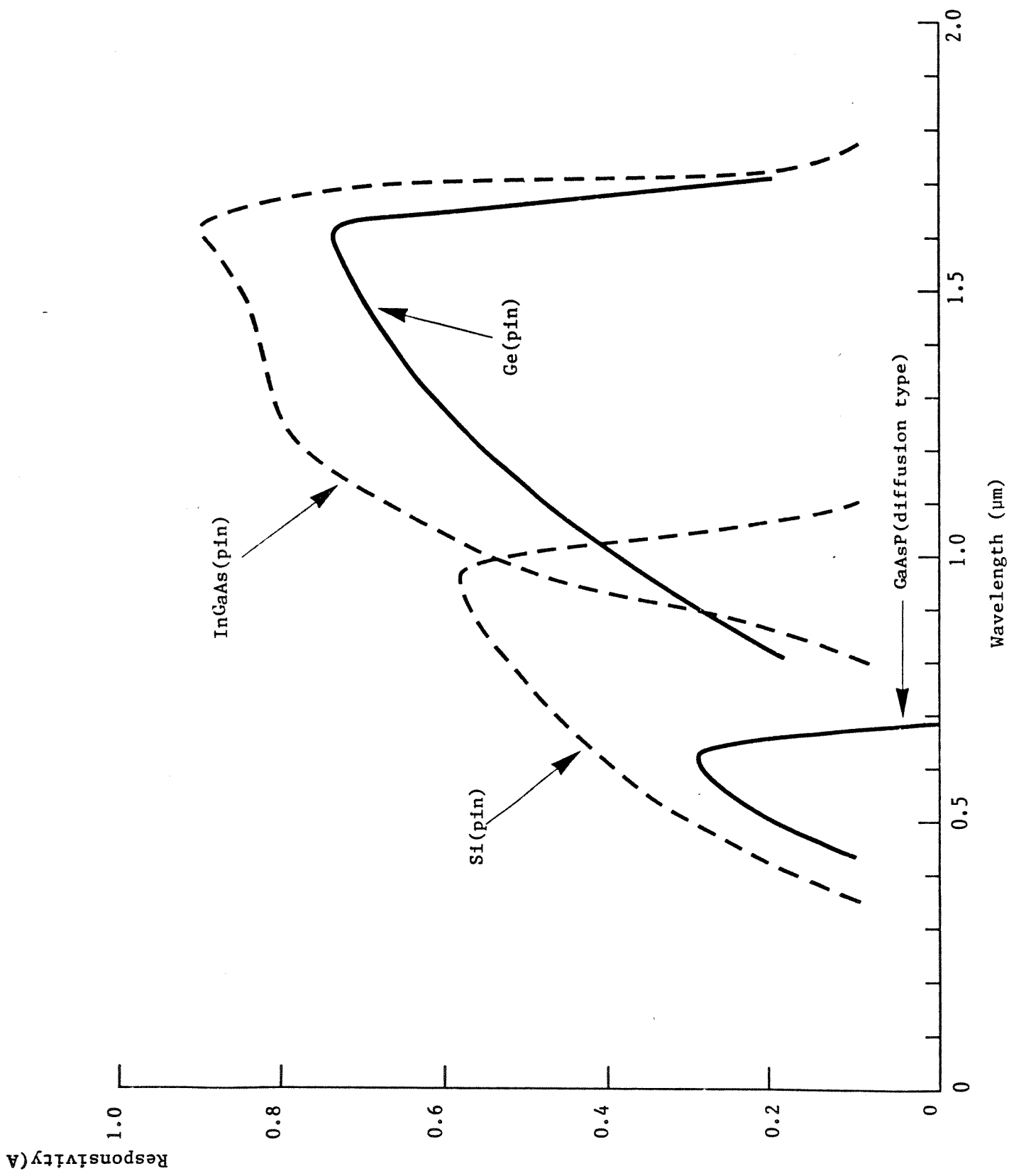


Fig (22.17)

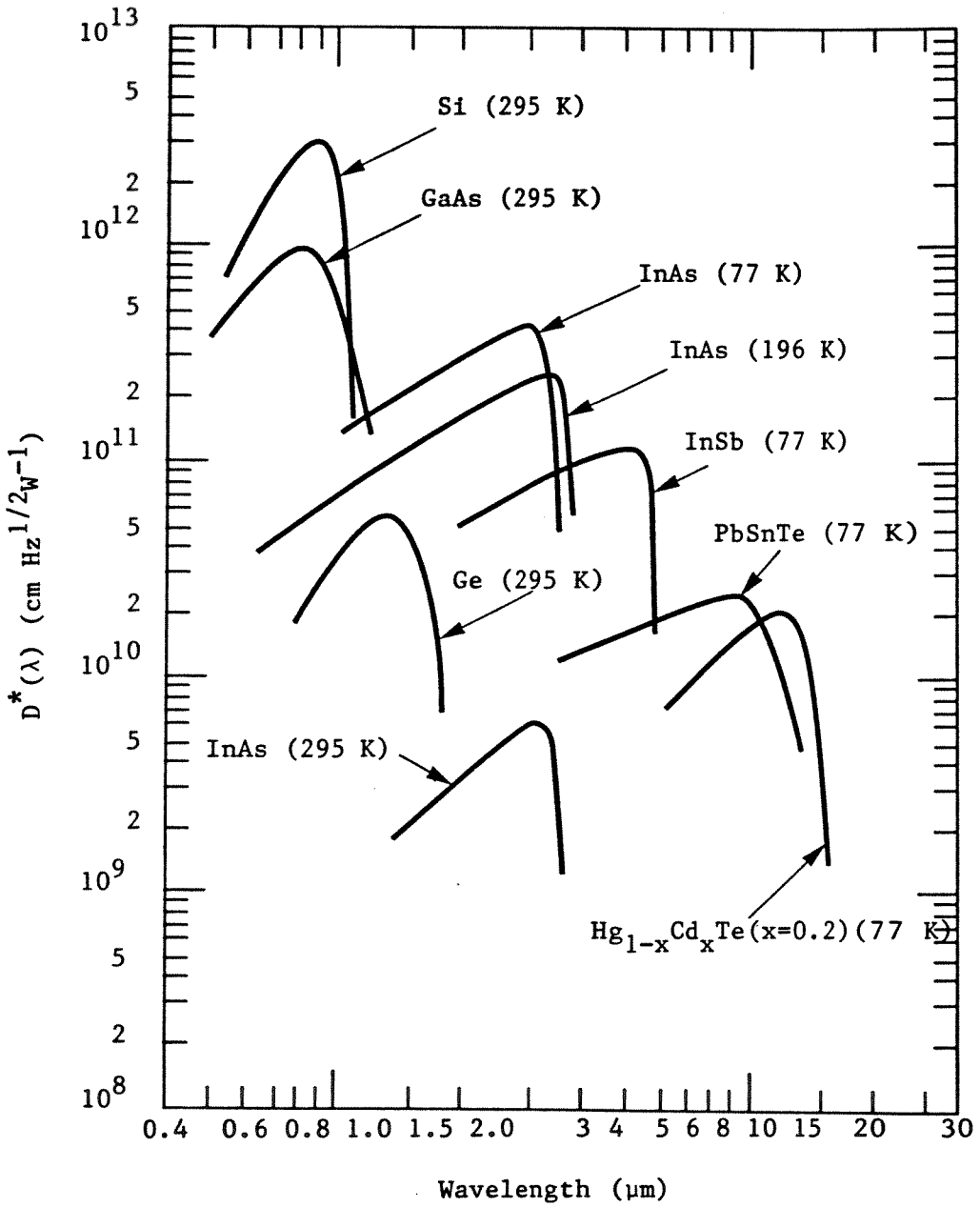
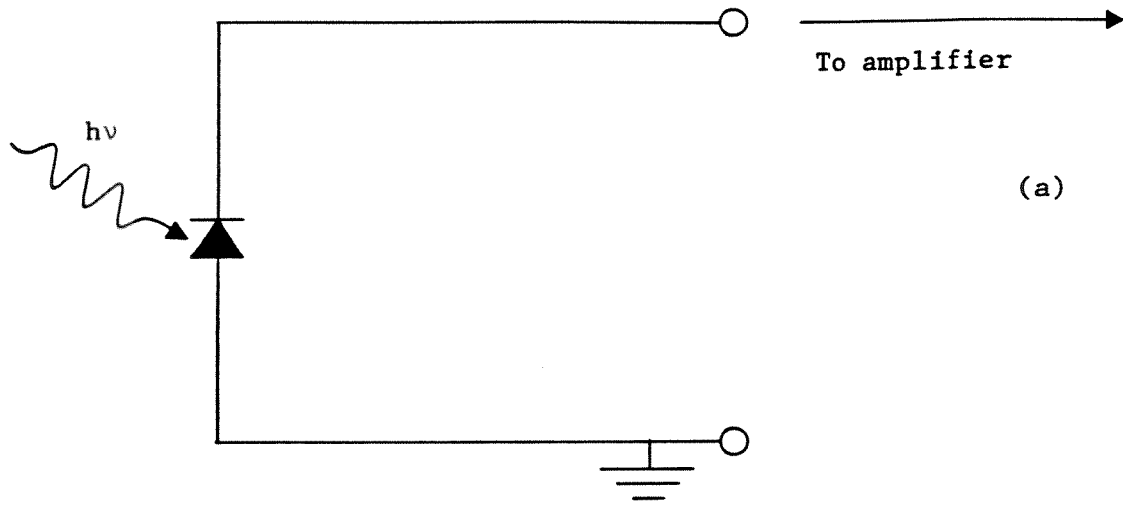
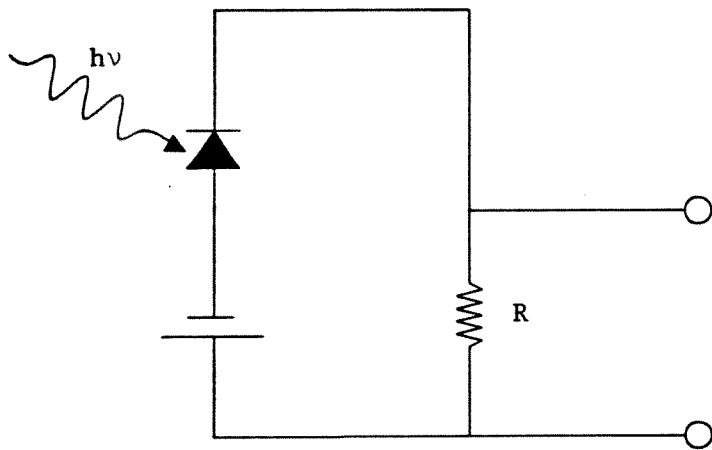


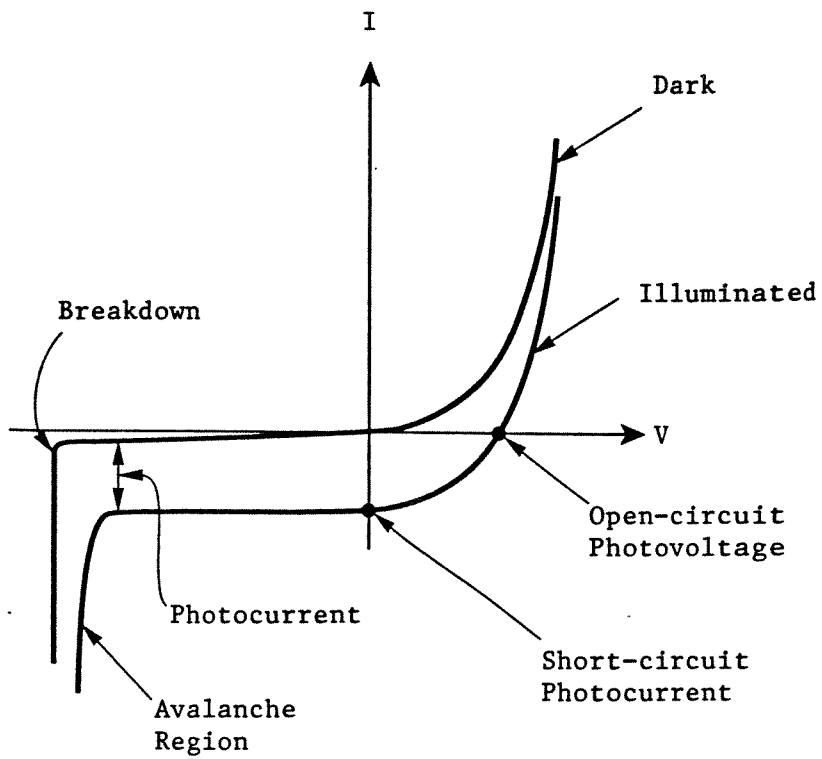
Fig. (22.18)



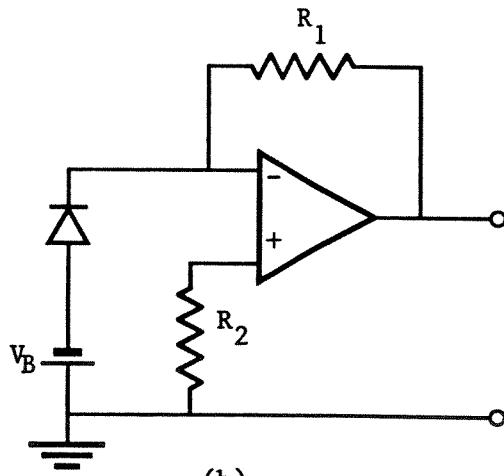
(a)



(b)



(a)



(b)

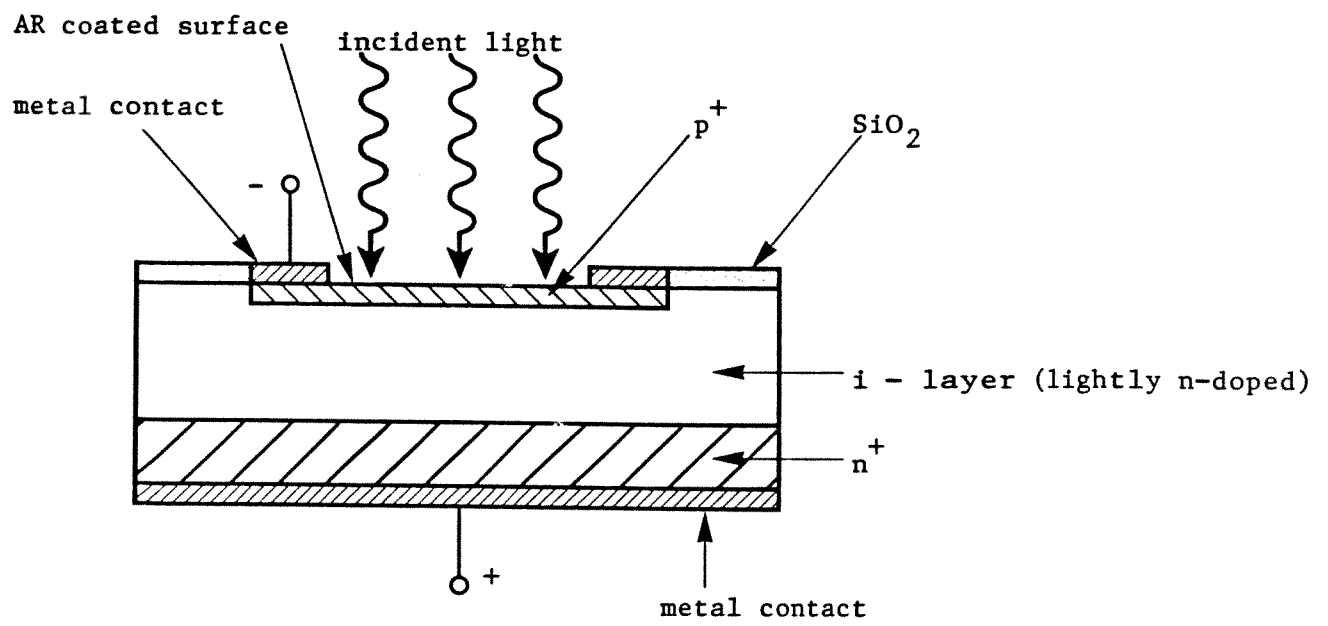


Fig. (22.21)

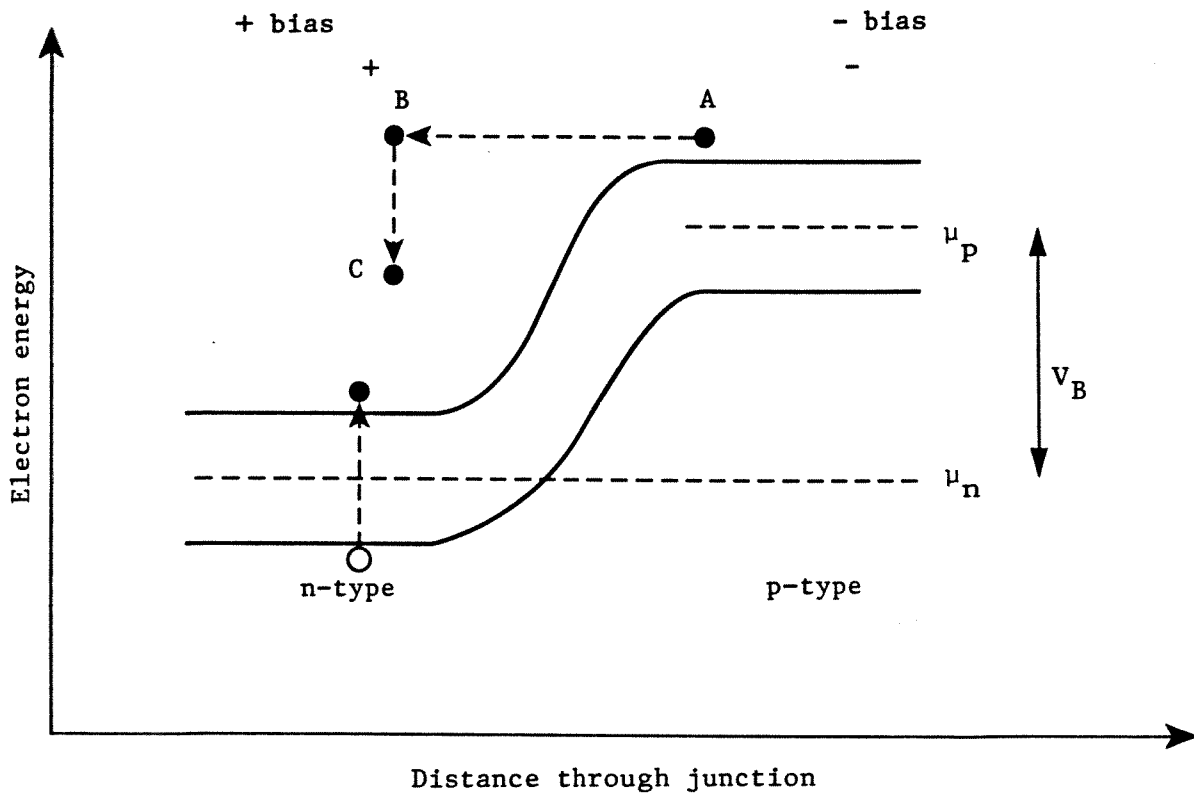


Fig (22.22)

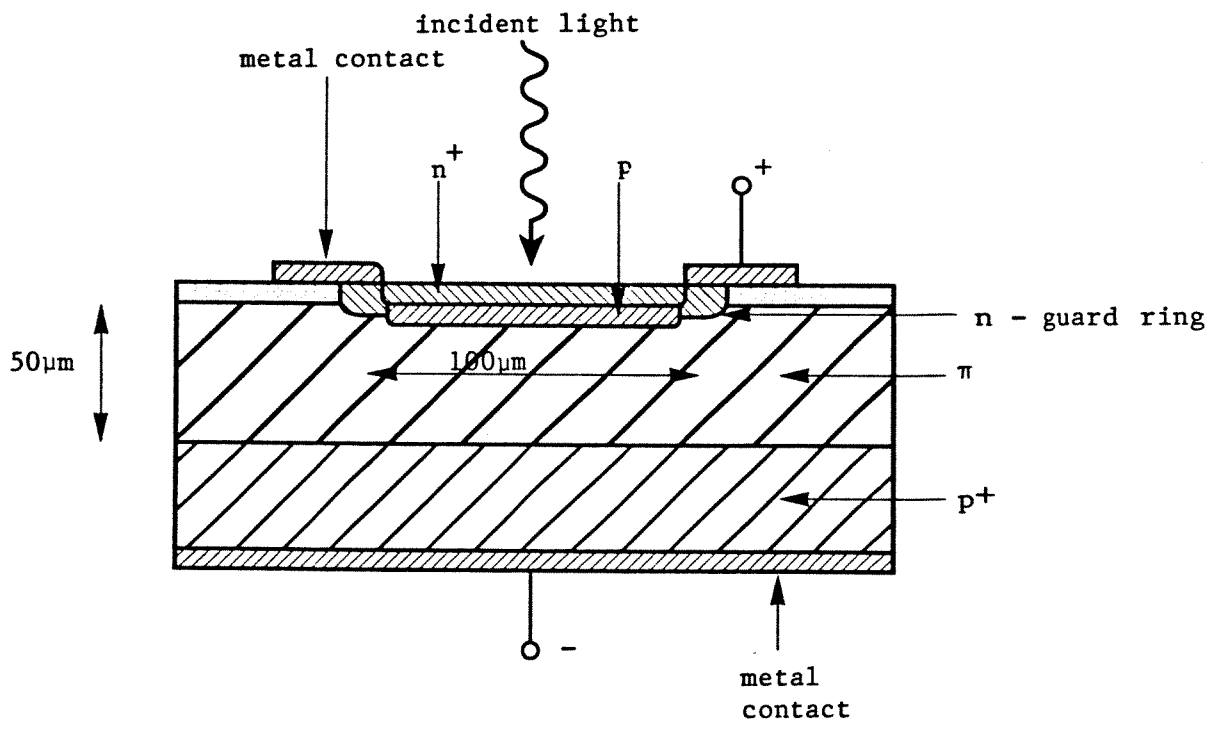


Fig. (22 23)

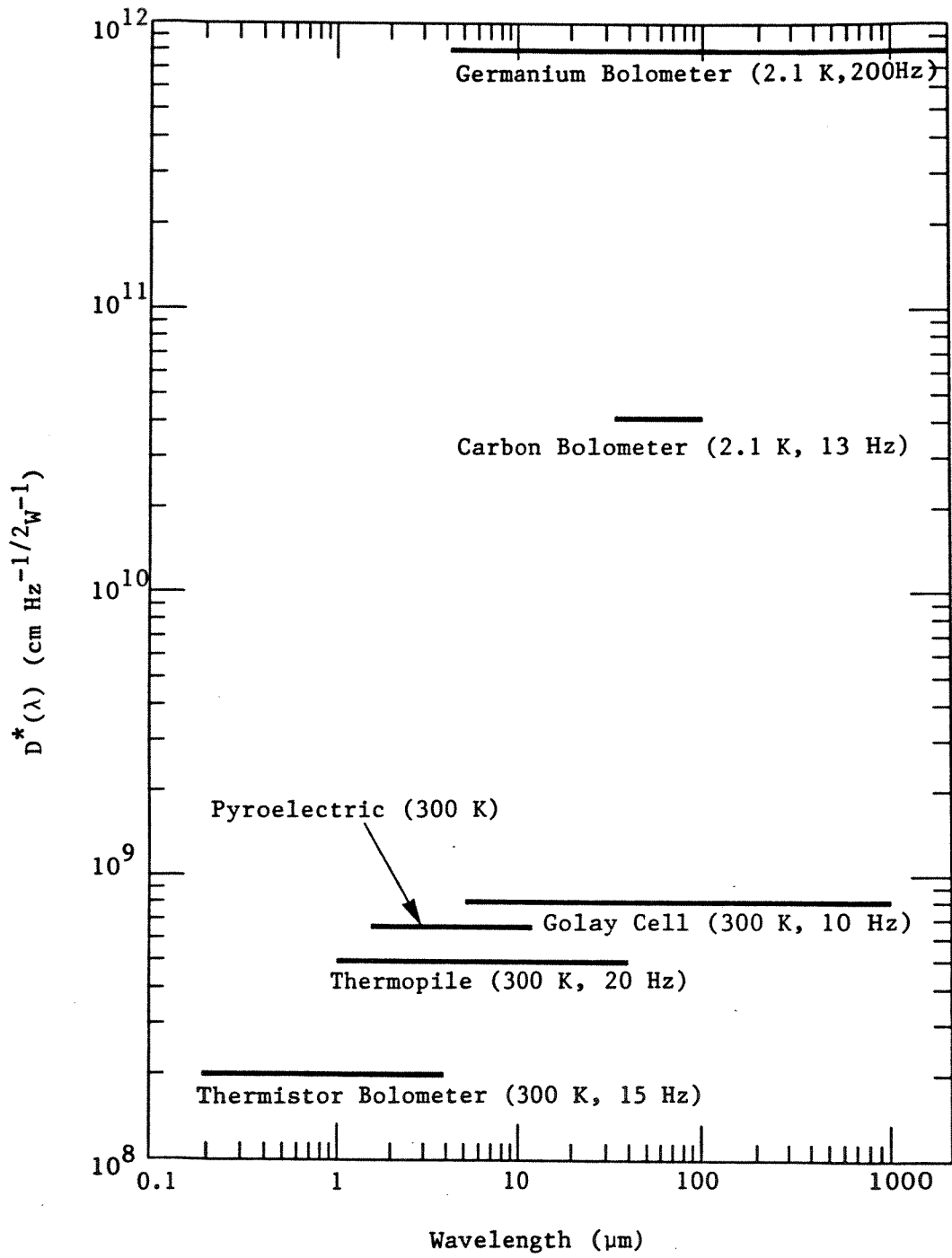
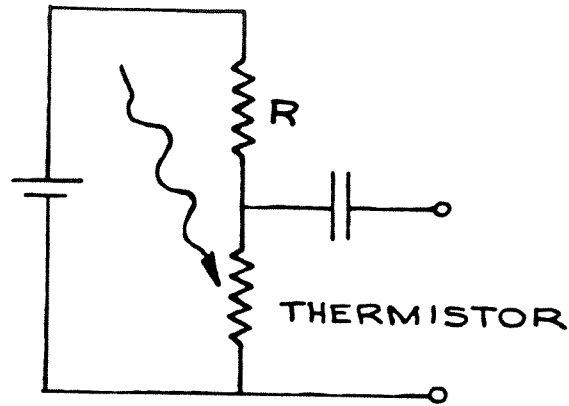
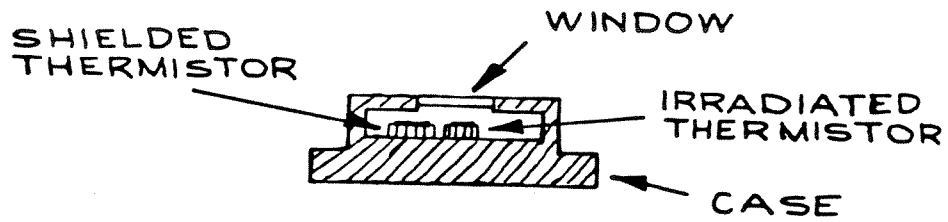
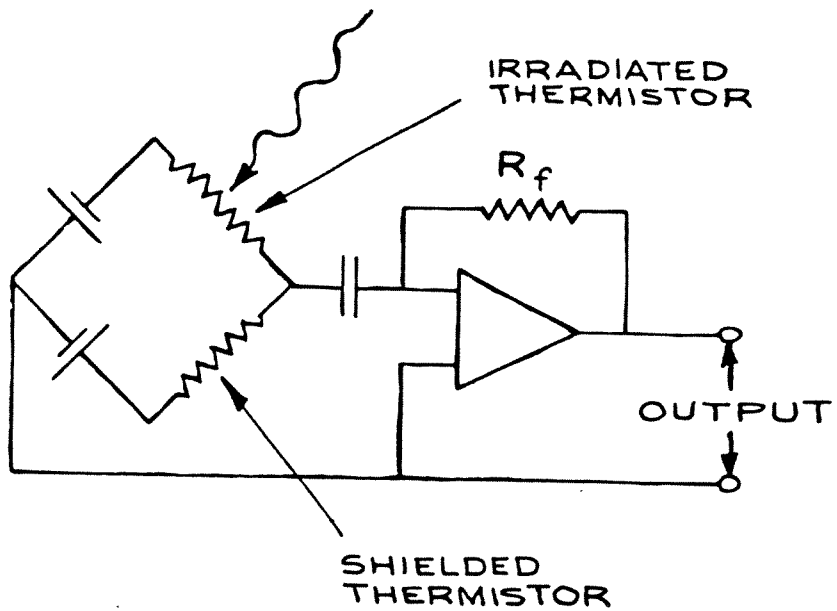


Fig. (22.29)

master copy to
be supplied
later

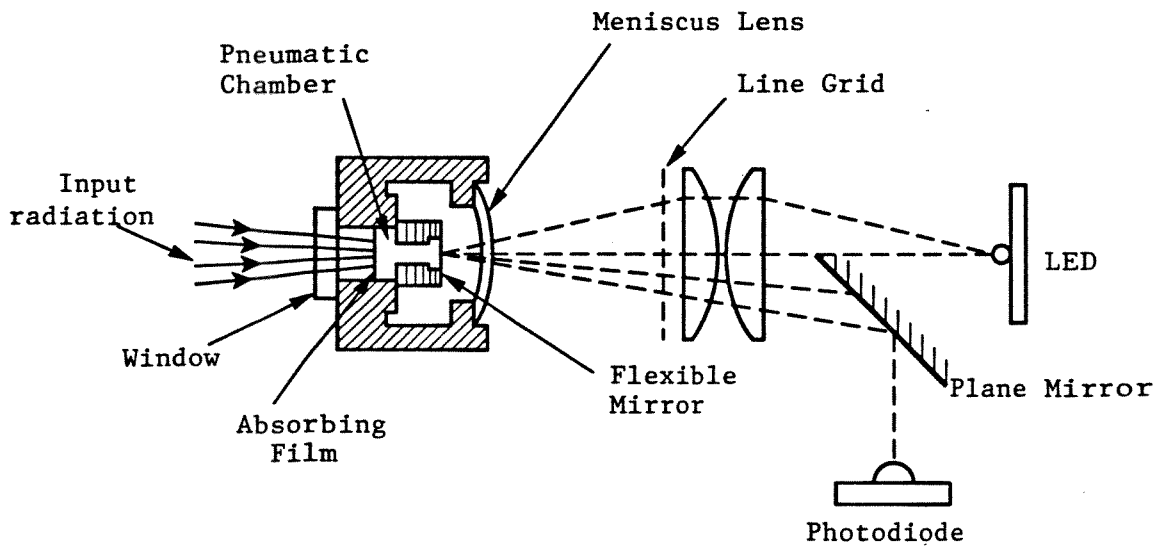


(a)



(b)

Fig (22.25)



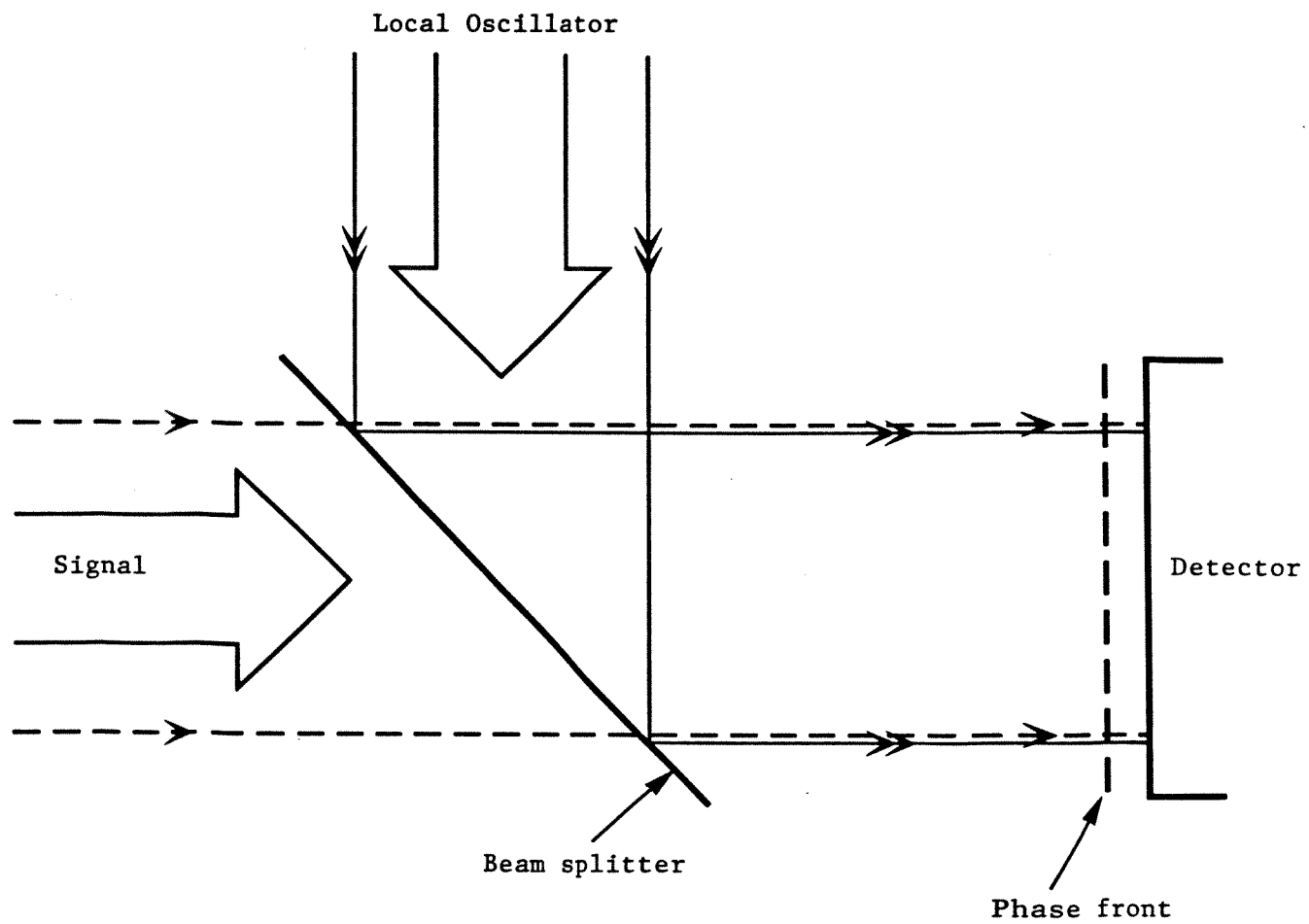
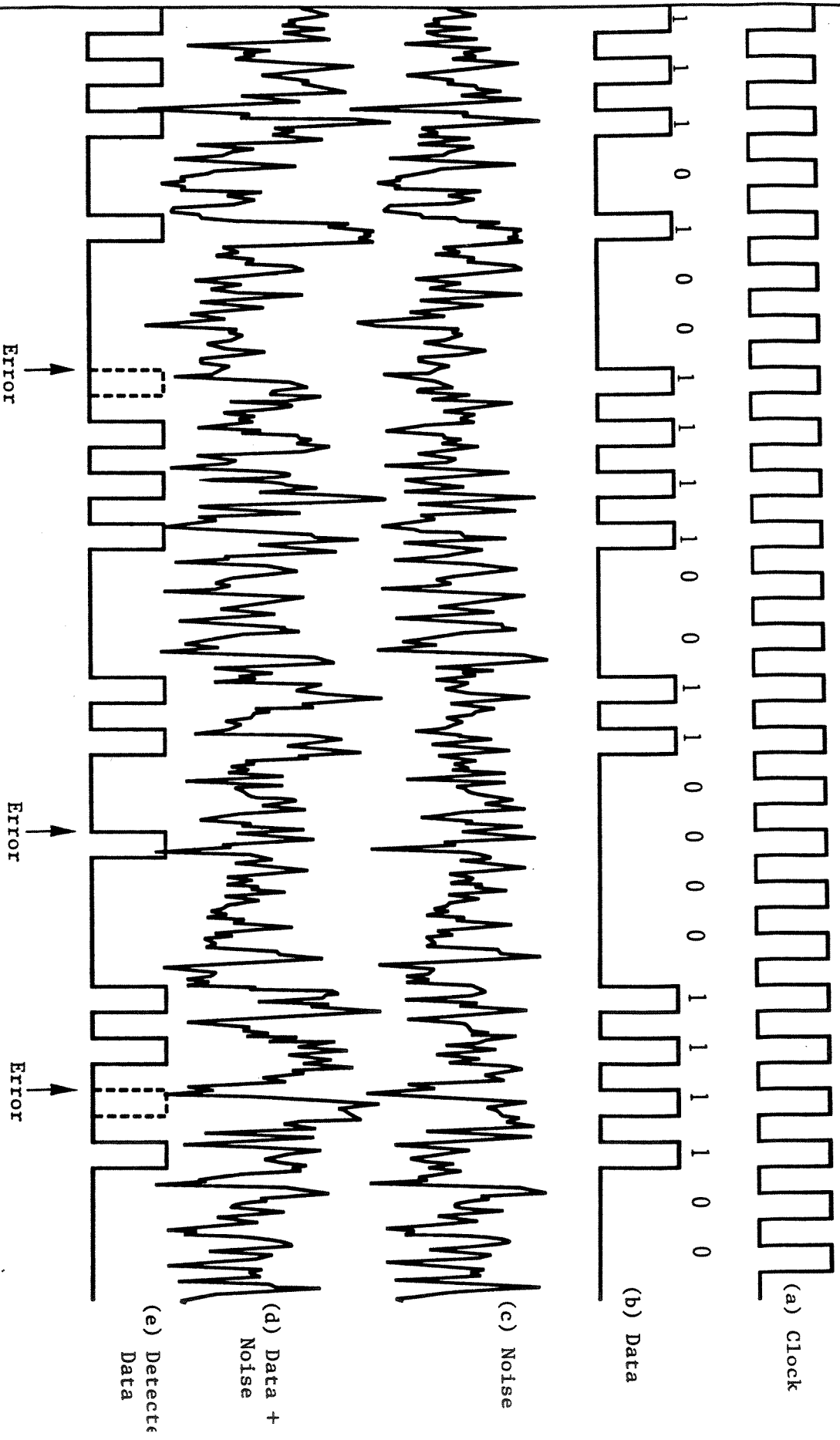


Fig. (22.27)



Time →

Fig. (22.28)

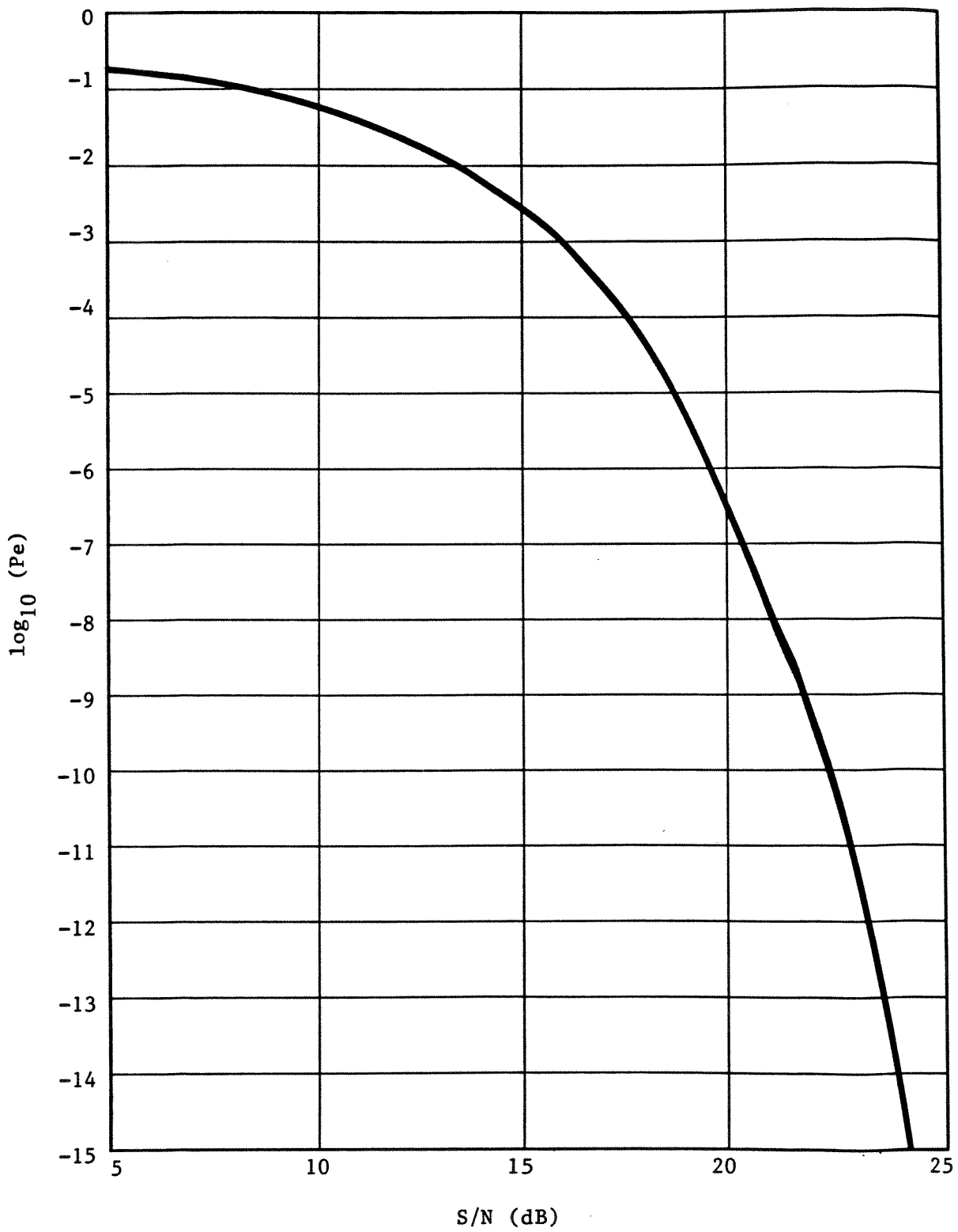


Fig (22.29)